



# M&M Manufacturing Company

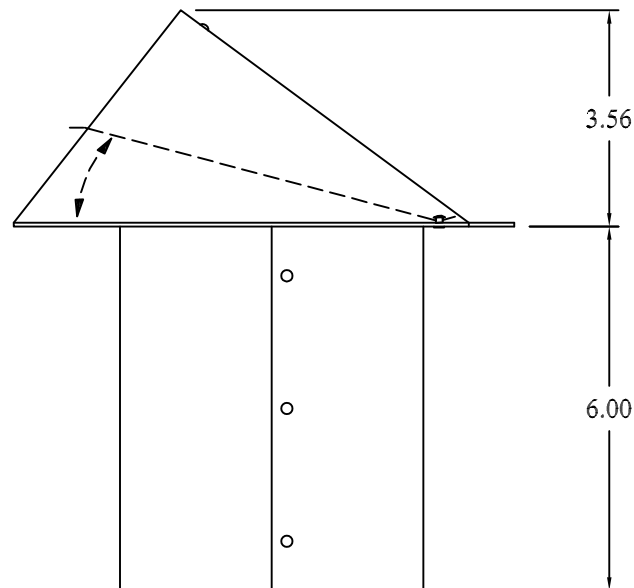
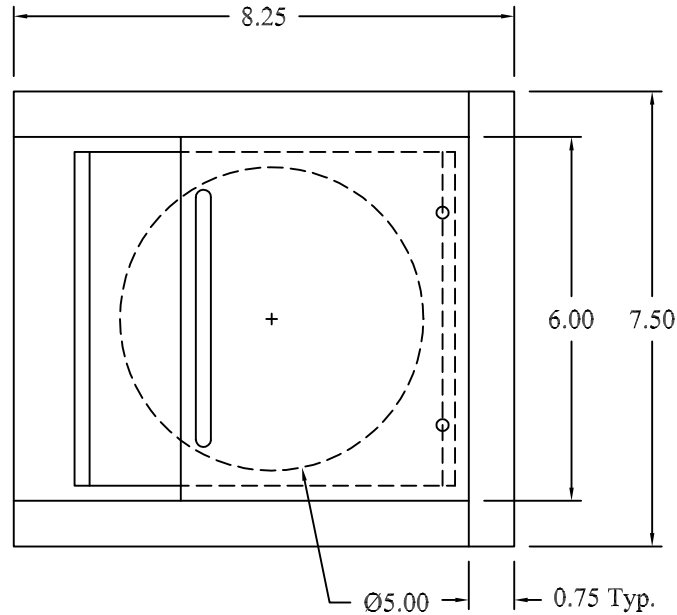
[www.mmmfg.com](http://www.mmmfg.com)

FORT WORTH (MkIV)  
(817)-336-2311

FORT WORTH (Adolph)  
(817)-334-0034

DALLAS  
(972)-485-1504

HOUSTON  
(713)-690-0585



**PART #:** V-WV5 | **DESCRIPTION:** Round 5" wall vent

**NOTES:** Material: 3004 H14 ASTM-B209 ~0.020" and ~0.025" aluminum  
Machine riveted sleeve (~0.020")  
Embossed hood (~0.025") and damper with hug (~0.020")  
Base (~0.020")