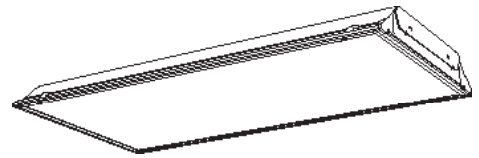


TY

The TY Lensed Troffer series, an industry standard, is ruggedly constructed and offers features such as large cam latches for smoother opening, mitered door corners for an excellent fit, and metal light traps. The TY is widely accepted for all lensed troffer applications.

Project _____
 Catalog Number _____
 Type _____
 Date _____



- Made in the USA
- Die-formed heavy gauge steel construction
- High gloss baked white enamel finish

- T5, T8, and LED available
- C-UL-US listed, damp location

HOUSING Die-formed heavy gauge steel with high-gloss baked white enamel finish over rust inhibiting phosphate coat. X prefix specifies durable high gloss powder coat post paint finish (90% reflectance) over rust inhibiting phosphate coat. Flush white steel door frame (TE standard with black) with mitered corners can be hinged from either side. Access plate providing two knockouts and grounding screw.

distortion. Specify suffix UNV for universal voltage, 120 through 277V, 50/60Hz AC operation, Electronic T8 only. End of life protection is standard on twin tube fixtures. C-UL-US Listed Damp Location.

SHIELDING A variety of acrylic lens and louvers available. Specular silver or gold finishes available.

MOUNTING Lay-in (T) or Flange (F) 2 x 2 and 2x4 flanged fixtures require field assembly.

ELECTRICAL Fully wired for 120V, 60Hz AC operation, thermally protected, automatic resetting, Class P, sound rated A, high-power factor ballast, unless otherwise specified. Electronic T8 shall be instant start, <20% harmonic distortion standard, specify suffix UNV for <10% harmonic

LED LAMPS This product offers LED lamps. LED lamps may be ordered as an option or an accessory in place of 2' and 4' fluorescent lamps. Not compatible with emergency lighting or dimming options. See ordering information and performance table for more data.

WARRANTY 5 year manufacturers limited warranty on LED T8 Lamps.



TY Lensed Troffer Configuration

SERIES	DIFFUSER	DOOR FRAME	SIZE
T = Lay-In F = Flange XF = Powder coat, flange XT = Powder coat, lay-in	Y = Clear prismatic acrylic (standard) B = .125 clear prismatic polycarbonate K = .125 clear prismatic acrylic O = .140 high impact P = acrylic drop dish U = .156 clear prismatic acrylic W = White acrylic	Steel, white (standard)	122 = 1 x 2 124 = 1 x 4 242 = 2 x 2 244 = 2 x 4

LAMPS	LAMP TYPE	OPTIONS	BALLAST	SWITCHING	VOLTAGE
2 3 4	FOR LED TUBES, SEE LED LAMPS ON NEXT PAGE 14 = 14W 24" T5 17 = 17W 24" T8 24 = 24W 24" T5HO 28 = 28W 48" T5 32 = 32W 48" T8 32U = 32W U6" T8*** 40TT = 40W 22" TT** 54 = 54W 48" T5HO (T8 lamp type is required when specifying LED lamps)	SR = Specular Reflector ELS1 = Emergency Lighting (low lumens) ELS2 = Emergency Lighting (medium lumens) ELS3 = Emergency Lighting (high lumens) <i>Note: ELS not compatible with LED Lamps</i>	B11 = Electronic T8 B11HP(x) = HPT8* B12 = Electronic T5 B14 = Electronic TT D = Dimming (specify ballast; not compatible with LED Lamps)	FOR 3 AND 4 LAMP UNITS Blank = dual ballasts 3L = (1) 3-lamp ballast 4L = (1) 4-lamp ballast FOR 2 LAMP UNITS Blank = single ballast 2/1L = (2) 1-lamp ballasts	UNV = 120-277V 120 = 120V 277 = 277V 347 = 347V

*CEE listed T8; specify (L)ow, (N)ormal, or (H)igh ballast factor. Contact factory for NEMA Premium.

**Requires dedicated voltage ballast on 3-lamp models

***For 1-5/8" please specify.

OPTIONS	AIR HANDLING	ACCESSORIES
L = Lamps Installed (Specify Lamps) (U-lamp and TT lamps not installed) FL4 = 3/8", 6' flex with two #18, one ground and two connectors FL5 = 3/8", 6' flex with three #18, one ground and two connectors M = Master; includes 9' intertie and snap-in connector S = Satellite; includes snap-in connector FB = Fast Blow Fuse SB = Slow Blow Fuse BP = Bulk Pack LG = Lens Gasketing LDG = Lens and Door Gasketing LDFG = Lens, Door, and Frame Gasketing M4 = MIRO 4 reflector (95% reflectivity) IC = Insulation Contact Rated	Air Handling - Static (standard) AC = Vented on all sides** AH = Vented on 2' side AS = Vented on 4' side ND = No Door Frame	EC = Earthquake Clip, 4-pack FTI (Flange Trim Kits) FTI 12 = 1' x 2' FTI 14 = 1' x 4' FTI 22 = 2' x 2' FTI 24 = 2' x 4'

LAMP OPTIONS

Lamps Installed
(Specify Lamps - 730/735/741 or 830/835/841/850)
(U-lamp and TT lamps not installed)

<i>LED Lamps Installed</i>	
LE82M3 = 2' 9W 3000K 1150lm	LE84M4 = 4' 14W 4000K 1800lm
LE82M4 = 2' 9W 4000K 1150lm	LE84M5 = 4' 14W 5000K 1800lm
LE82M5 = 2' 9W 5000K 1150lm	LE84H3 = 4' 17W 3000K 1800lm
LE84M3 = 4' 14W 3000K 1800lm	LE84H3 = 4' 17W 3000K 1800lm

LED LAMPS (SHIPPED SEPARATELY)*

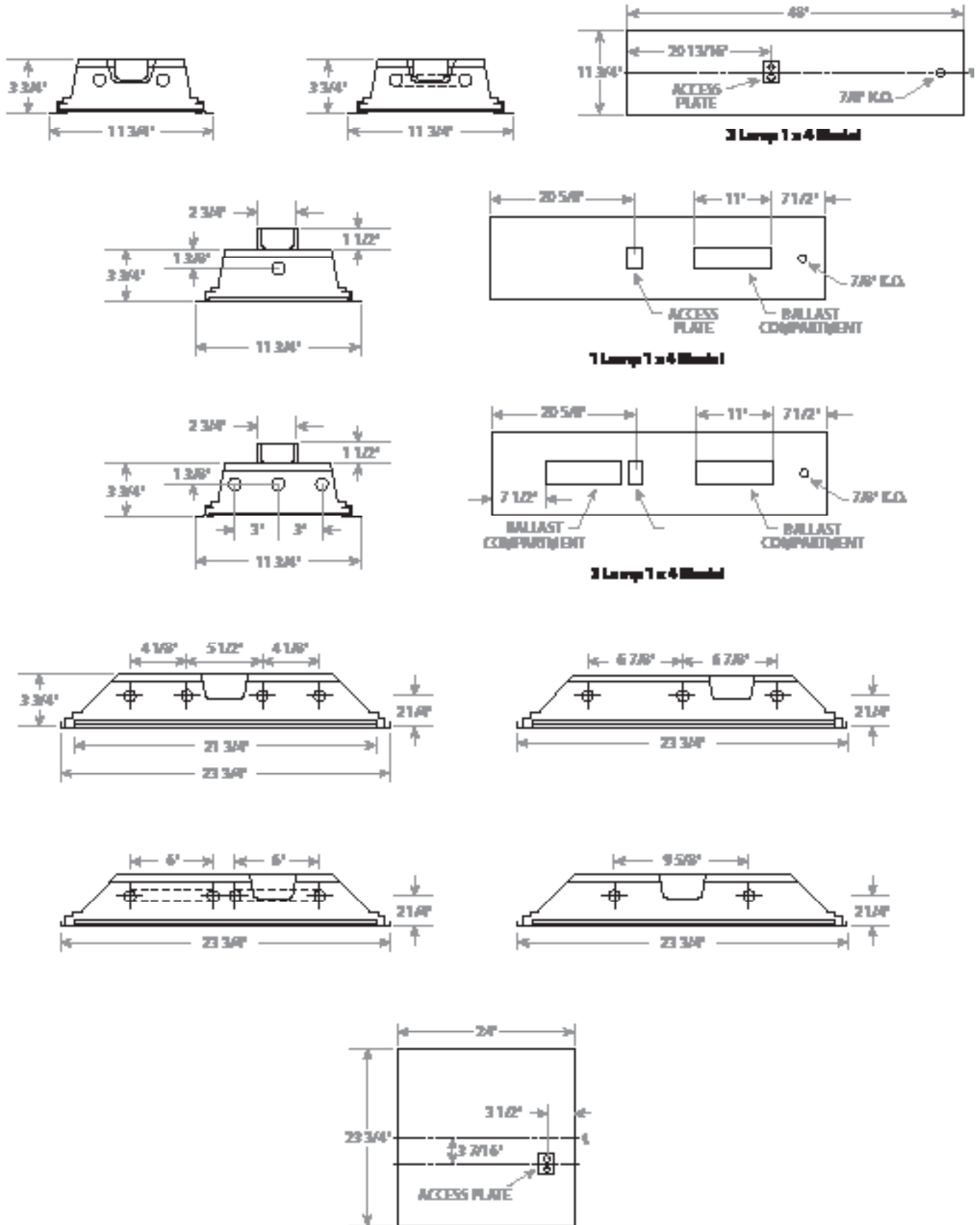
LE82M3 = 2' 9W 3000K 1150lm
LE82M4 = 2' 9W 4000K 1150lm
LE82M5 = 2' 9W 5000K 1150lm
LE84M3 = 4' 14W 3000K 1800lm
LE84M4 = 4' 14W 4000K 1800lm
LE84M5 = 4' 14W 5000K 1800lm
LE84H3 = 4' 17W 3000K 1800lm
LE84H3 = 4' 17W 3000K 1800lm
LE84H3 = 4' 17W 3000K 1800lm

* Compatible with 2' and 4' T8 configurations only. See performance data table for more information.

LED T8 Replacement Lamp Performance

LAMP	COLOR TEMPERATURE	NOMINAL LENGTH	CRI	BEAM ANGLE	LAMP WATTAGE	LAMP LUMENS	INITIAL LUMENS			LAMP EFFICACY
							.78 BF	.88 BF	1.18 BF	
LE82M3	3000K	2'	>80	220°	9W	1150	945	1080	1370	127 lm/W
LE82M4	4000K	2'	>80	220°	9W	1150	1020	1170	1490	127 lm/W
LE82M5	5000K	2'	>80	220°	9W	1150	1040	1200	1520	127 lm/W
LE84M3	3000K	4'	>80	220°	14W	1800	1620	1870	2490	129 lm/W
LE84M4	4000K	4'	>80	220°	14W	1800	1670	1940	2560	129 lm/W
LE84M5	5000K	4'	>80	220°	14W	1800	1720	2000	2620	129 lm/W
LE84H3	3000K	4'	>80	220°	17W	2200	1930	2200	2800	129 lm/W
LE84H4	4000K	4'	>80	220°	17W	2200	1990	2300	2930	129 lm/W
LE84H5	5000K	4'	>80	220°	17W	2200	2050	2370	3080	129 lm/W

Dimensions



Dimensions

